

HEAT METERS

In-line mounted compact



Delta Flowtech

- MID Approved
- EEC Class C Approved
- BMS output [optional]
- Pulsed output [Kw/hr] or M-bus output
- 3 versions: 0.6m³/hr, 1.5m³/hr or 2.5m³/hr
- Battery operated [6 year life]
- IP54 protection rating
- Vertical or horizontal mounting
- Temperature range: 25 - 90°C
- Ambient temperature: 0 - 55°C
- Temperature resolution: 0.01°C

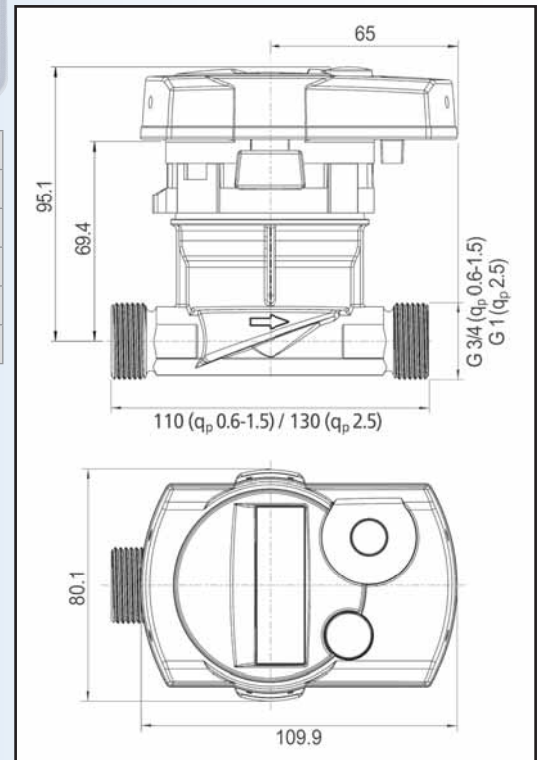


TECHNICAL DATA

Part No.	Dn Size [mm]	Max Flow [m ³ /h]	Nominal Flow [m ³ /h]	Trans Flow [l/h]	Min Flow [l/h]	Pulse Options [kW/hr per pulse]
DHM 0.6 PO	20	1.2	0.6	6	2.5	1
DHM 0.6 Mbus	20	1.2	0.6	6	2.5	N/A
DHM 1.5 PO	20	3.0	1.5	15	3	1
DHM 1.5 Mbus	20	3.0	1.5	15	3	N/A
DHM 2.5 PO	25	5.0	2.5	25	5	1
DHM 2.5 Mbus	25	5.0	2.5	25	5	N/A

DIMENSIONS

Nominal flow	m ³ /h	0.6	1.5	2.5
Installation length - flow sensor	m ³ /h	110	110	130
External thread flow sensor		G ³ / ₄	G ³ / ₄	G1
Calculator housing	mm	80.1 x 109.9		
Height from pipe centre	mm	69.4		
Height with calculator attached	mm	95.1		



Installation in RETURN FLOW

Delta Flowtech

Bridge House | Riverside North | Bewdley | Worcestershire | DY12 1AB | UK
 Tel: 01299 406065 | Fax: 01299 400986 | Email: info@deltaflowtech.com | W: www.deltaflowtech.com

